

Description

Extruded aluminum joint covers used to cover exterior and interior joints on finished walls and ceilings.

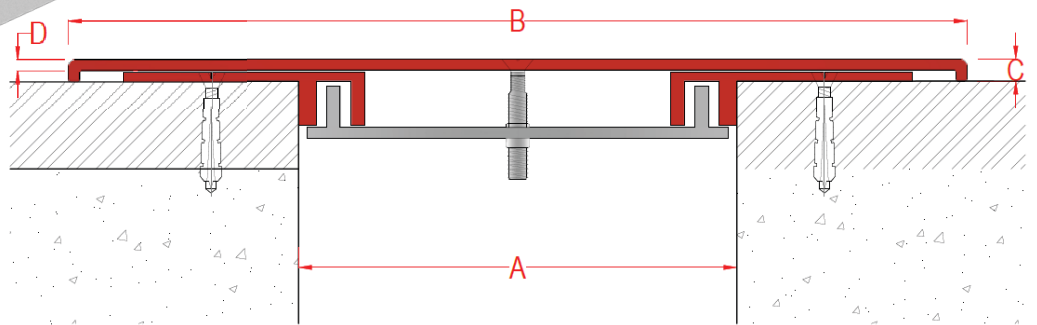
Materials

Anodized aluminium 6063/T6
Can also be supplied in mill finish and powder coated aluminum.

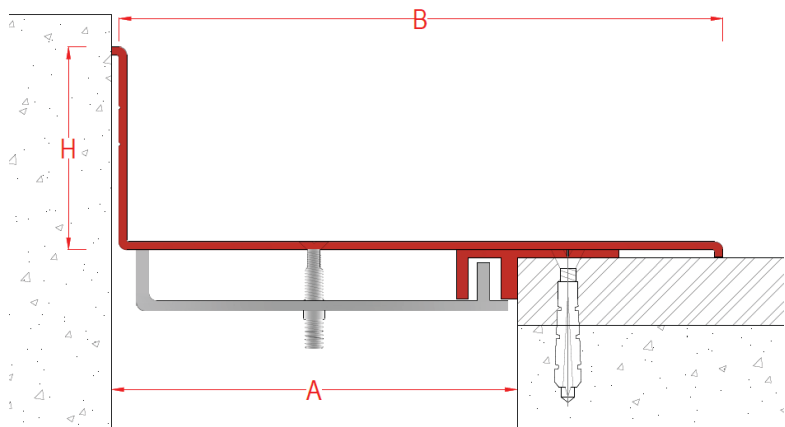
Supply Lengths

3m, custom lengths can be produced against minimum order.

SWJ1 SE



SWJ1 SE/C



TYPE	A	B	C	H	Total Movement
Flat Profile					
SWJ1 SE 40	40	145	2.5	-	50
SWJ1 SE 50	50	185	3.5	-	50
SWJ1 SE 80	80	185	3.5	-	50
SWJ1 SE 100	100	200	3.5	-	50
Corner Profile					
SWJ1 SE/C 40	40				50
SWJ1 SE/C 50	50				50
SWJ1 SE/C 80	80				50
SWJ1 SE/C 100	100				50

Dimension in mm